

PERFORMANCE

WORKING HEIGHT	52.40 m
HORIZONTAL OUTREACH (120 KG.)	20.00 m
HORIZONTAL OUTREACH (230 KG.)	17.00 m
HORIZONTAL OUTREACH (360 KG.)	10.00 m
UP AND OVER CLEARANCE	32.00 m
CAGE CAPACITY	120-230-360 Kg
MOVABLE JIB	-80° +60°
CAGE ROTATION	180°
TURRET ROTATION	440°
GRADEABILITY	30%
SLOPE ANGLE (α)	11° - 22°
TRAVEL SPEED	1.0 - 2.0 Km/h

MEASURES

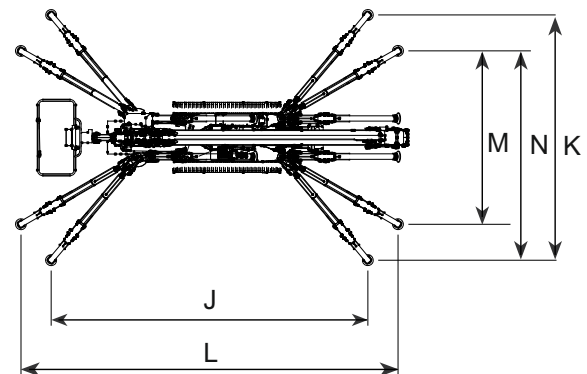
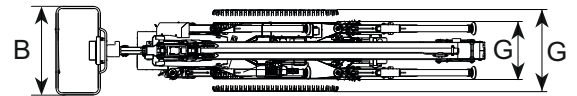
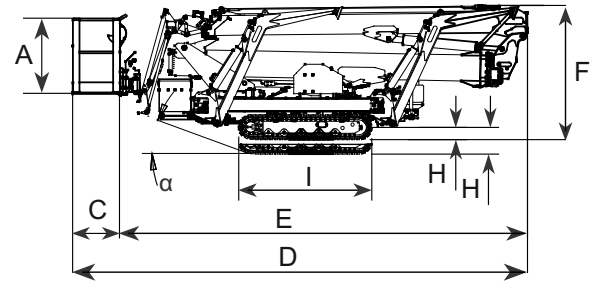
CAGE HEIGHT (A)	1.10 m
CAGE LENGTH (B)	1.80 m
CAGE WIDTH (C)	0.70 m
LENGTH (D)	8.90 m
LENGTH WITHOUT CAGE (E)	8.20 m
HEIGHT (TRAVELLING POSITION) (F)	1.98 m
WIDTH, MIN (G)	1.57 m
WIDTH, MAX (G')	1.97 m
GROUND CLEARANCE (H)	0.18 m
GROUND CLEARANCE MAX (H')	0.60 m
TRACK (L x W) (I)	2.80 x 0.40 m
LENGTH OUTRIGGER STANDARD (J)	7.80 m
WIDTH OUTRIGGER STANDARD (K)	5.70 m
LENGTH OUTRIGGER NARROW (L)	9.35 m
WIDTH OUTRIGGER NARROW (M)	4.75 m
WIDTH OUTRIGGER MEDIUM (N)	3.80 m
OUTRIGGER PLATE (\emptyset)	0.20x0.30 m

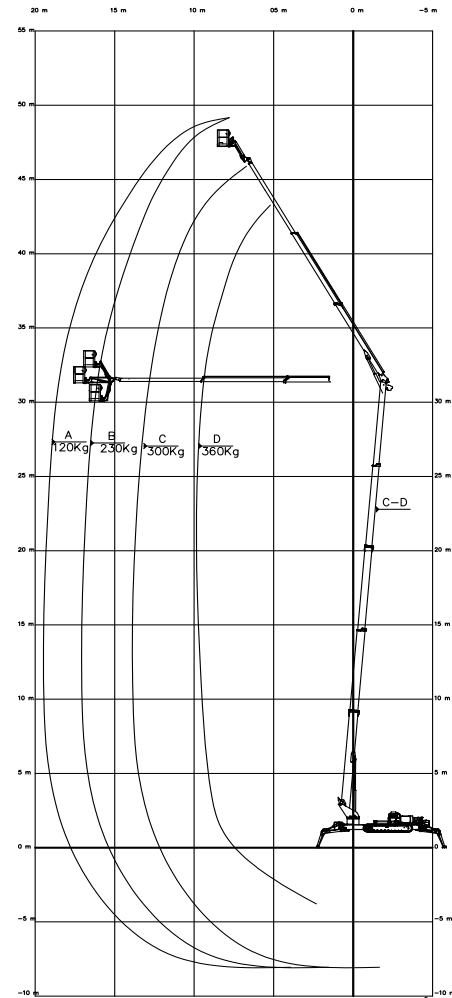
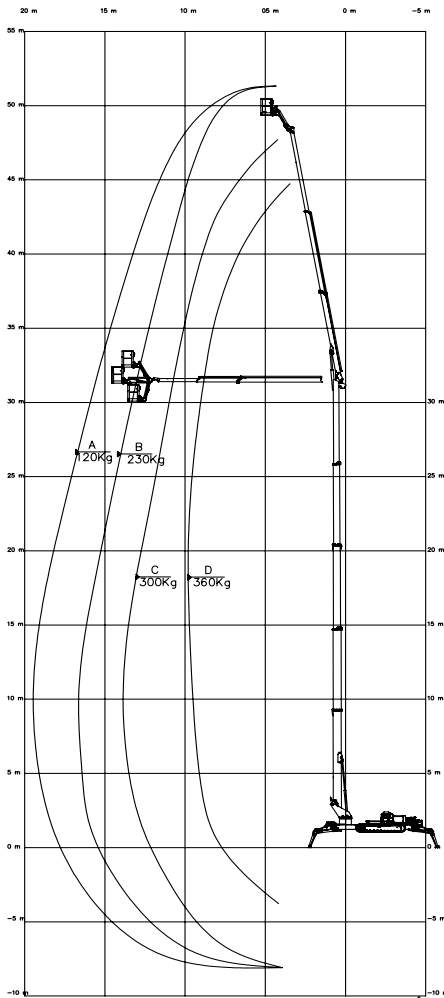
WEIGHT

TOTAL WEIGHT	14200 Kg
TRAVEL CONFIGURATION PRESSURE	13.6kN/m ²
WORK CONFIGURATION PRESSURE	3.55 kN/m ²
MAX OUTRIGGER FORCE	90.48 kN

POWER SOURCES

STANDARD Diesel Engine	38.0 kW
STANDARD Electric Motor	400V - 7.5 kW
OPTIONAL Lithium Battery	48V - 300 Ah
FUEL TANK CAPACITY Diesel Engine	50 l
OIL TANK CAPACITY	80 l





POWER SOURCES

- 380V electric motor
- 42 kW Hatz diesel engine with electronically regulated engine control
- Start/ Stop device for the engine in the cage

PRODUCTIVITY, SAFETY & QUALITY

- 110V (US) / 230V (EU) power socket in the cage
- High quality paint in RAL 9003 & RAL 2001
- Electric pump for emergency lowering
- Lock valves on hydraulic cylinders
- Relief valves protecting the hydraulic system from too high pressures
- Protective covers for all components
- Hour meter

CHASSIS

- Powerful track drive with hydraulic braking system
- Precise manoeuvring over sensitive radio control
- Rubber tracks with specially arranged profile providing optimum grip
- Extending tracks
- Inclinometer with acoustic alarm

STABILISATION

- Variable outrigger system with one side or both sides narrow or wide setup option

BOOM SYSTEM

- 2 x telescopic boom + jib
- Articulated Jib 164°
- Turnable basket 180°
- Electric proportional (Danfoss) and radio controls (Scanreco)
- Electric cage self levelling system
- Turret rotation with slewing ring

OPTIONS

- Battery drive (lithium) 48V 300 Ah (R420HY)
- Outrigger self levelling system
- Outrigger pads
- Non marking rubber tracks
- Custom paintwork
- Air/ water plug
- Winch (500 kg)
- Home function